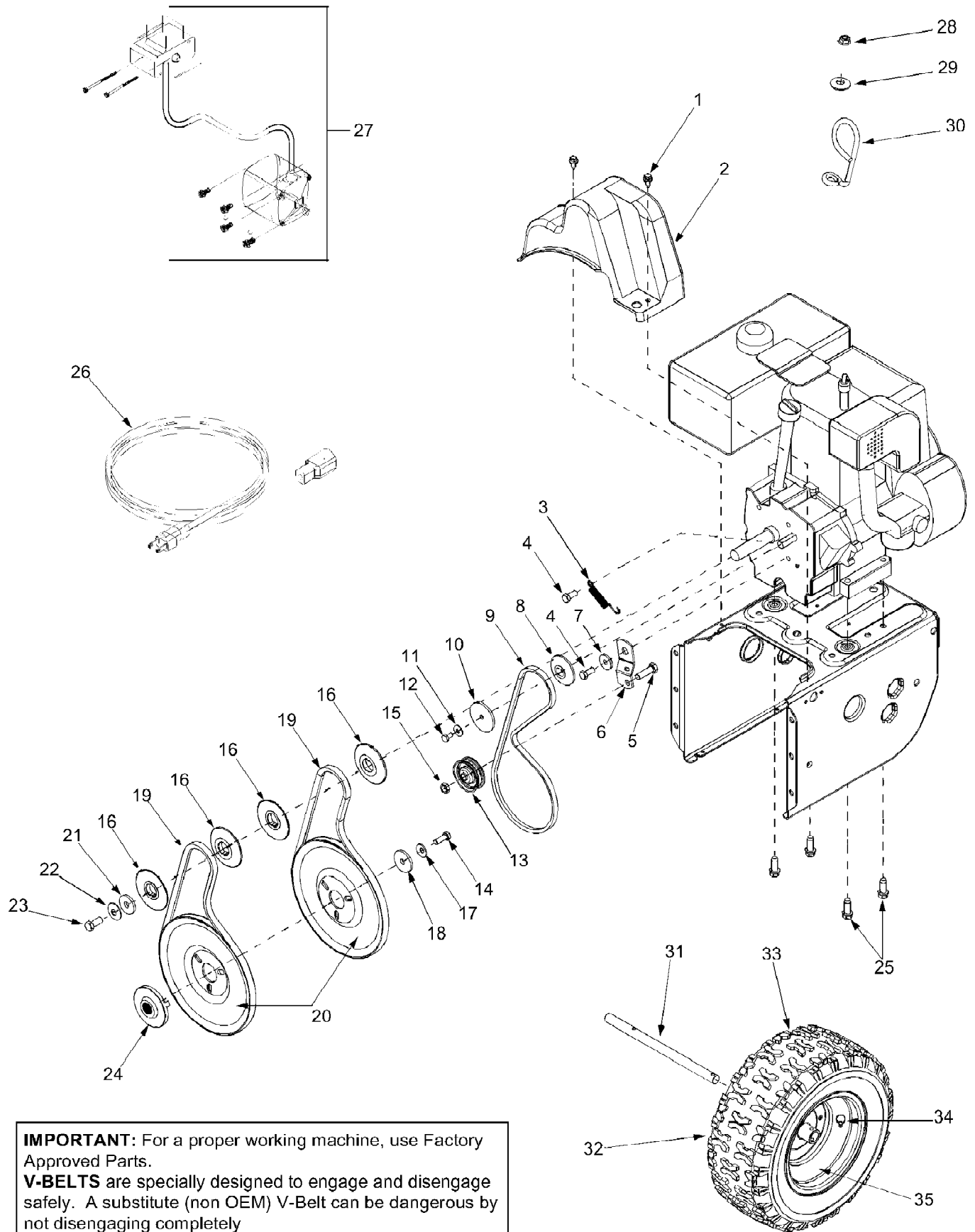


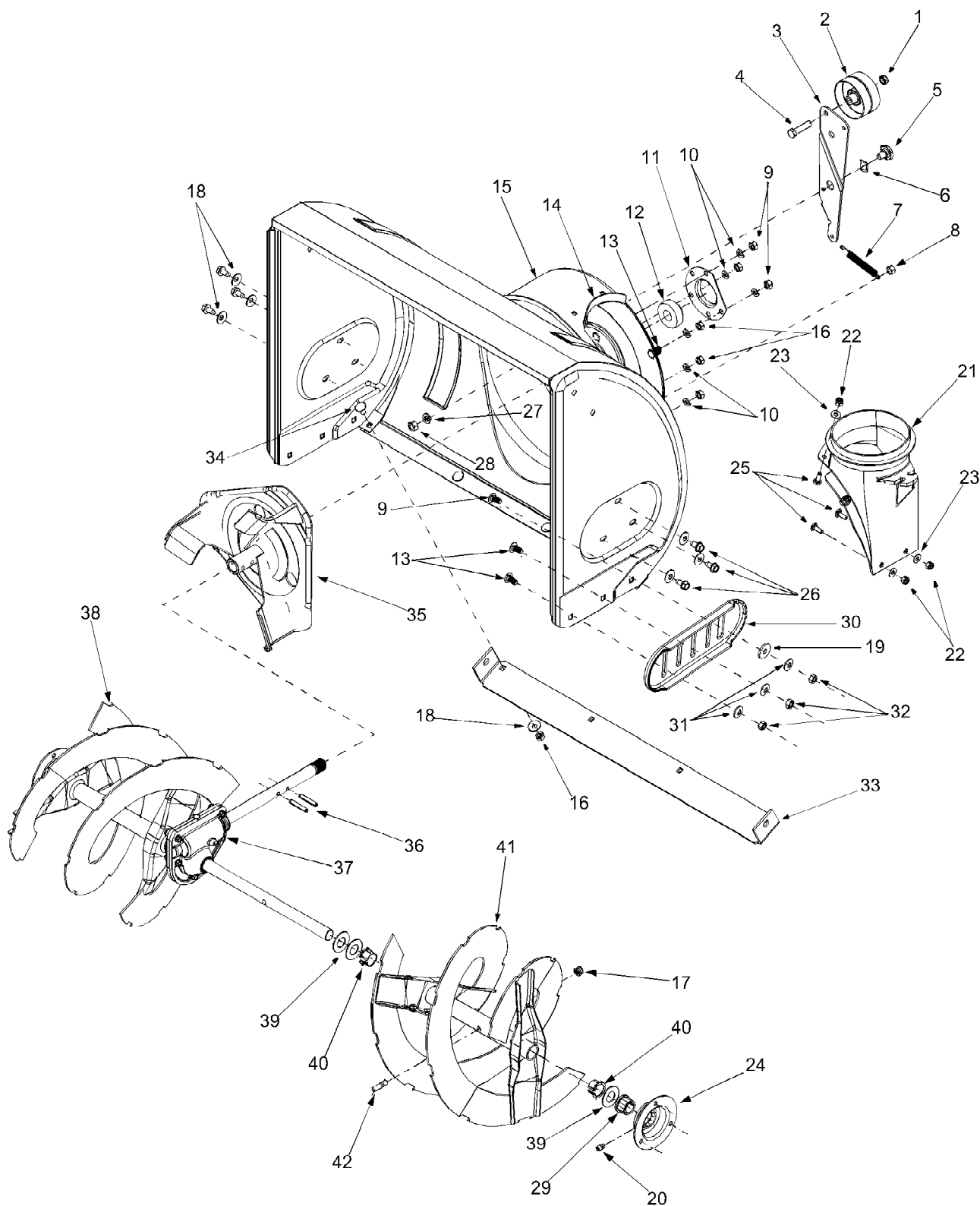
31AH5C3F190 Snow Boss SB-855W (2002)
Belt Drive & Engine Accessories



31AH5C3F190 Snow Boss SB-855W (2002)
Belt Drive & Engine Accessories

Page 2 of 15

Ref #	Part Number	Qty	S/P/F	Description
1	710-1652	1	/P	Hex Washer Screw 1/4-20 x .625
2	731-1324	1		Belt Cover
3	732-0710	1	S	Extension Spring
4	710-0627	1	/P	Hex Screw 5/16-24 x .75
5	710-3005	1	/P	Hex Cap Screw 3/8-16 x 1.25
6	05896A	1		Drive Clutch Idler Bracket
7	748-0234	1	/P	Shoulder Spacer
8	756-0987	1	S	Pulley Half
9	754-0346	1	S	V-Belt
10	756-0986	1		Pulley Half
11	736-0270	1	/P	Bell Washer
12	710-0230	1	/P	Hex Cap Screw 1/4-28 x .50
13	756-0313	1	/P	Flat Idler
14	710-1245A	1		Lock Hex Cap Screw 5/16-24
15	712-0181	1	S	Lock Jam Nut 3/8-16
16	756-0569	1		Pulley Half
17	736-0242	1	/P	Bell Washer
18	736-0505	1		Flat Washer
19	754-0430A	1	S	Belt
20	756-0967	1		Auger Pulley
21	736-0247	1	/P	Flat Washer 3/8 x 1.25 OD
22	736-0331	1	/P	Bell Washer
23	710-0696	1	/P	Hex Cap Screw 3/8-24
24	748-0360	1	S	Adapter Pulley
25	710-0654A	1	/P	Hex Screw 3/8-16 x 1.0
26	629-0071	1	S	Extension Cord
27	OEM-390-987	1	S	Electric Start Kit
28	712-0324	1	/P	Lock Nut, 1/4-20
29	736-0173	1	/P	Flat Washer, .28 x .74 x .063
30	732-0705	1		Cable Guide
31	738-0994A	1	/P	Axle: .75 dia. x 12.2" Lg.
32	734-1709	1		Wheel Ass'y Comp 16.5" x 4.8" (850W)
	734-1712	1		Wheel Ass'y Comp 16" x 6.5" (1150W)
33	734-1530	1		Tire 16.5" x 4.8" x 4" (850W)
	734-1525	1		Tire 16.0" x 6.5" x 8" (1150W)
34	734-0255	1	S	Tubeless Air Valve
35	734-1708	1	S	Rim Assembly (850W)
	734-1711	1		Rim Assembly (1150W)



31AH5C3F190 Snow Boss SB-855W (2002)
Blower Housing

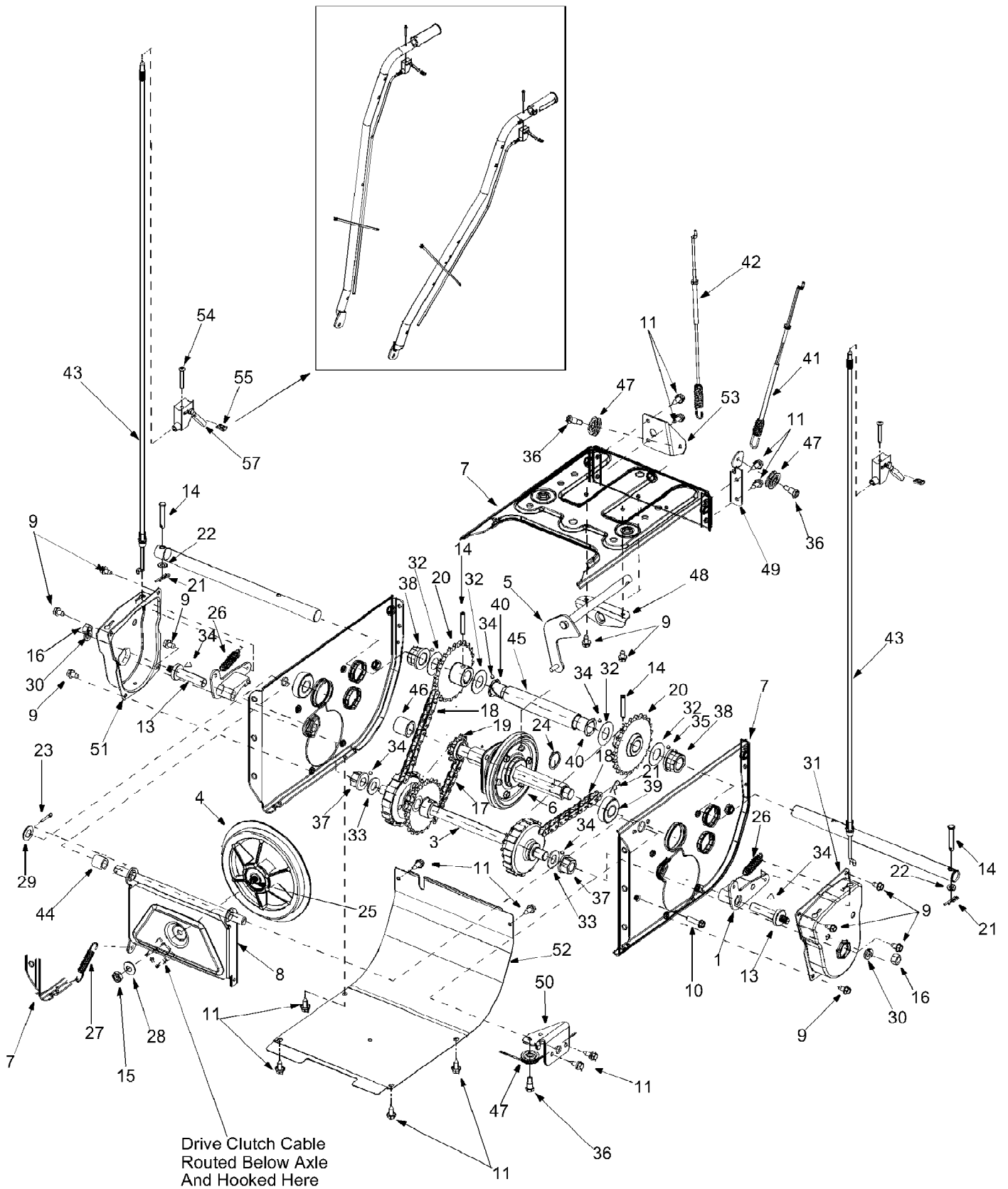
Page 4 of 15

Ref #	Part Number	Qty	S/P/F	Description
1	712-0116	1	S	Lock Jam Nut 3/8-24
2	756-0178	1		Flat Idler
3	784-5632A	1	S	Auger Idler Arm
4	710-0459A	1	/P	Hex Cap Screw 3/8-24 x 1.50
5	738-0281	1	S	Shoulder Screw
6	736-0167	1	S	Wave Washer
7	732-0611	1	S	Extension Spring
8	712-3068	1	S	Hex Nut 5/16-18
9	710-0276	1	/P	Carriage Bolt, 5/16-18 x 1.00
10	736-0119	1	S	Lock Washer 5/16
11	05931A	1	/P	Housing
12	741-0309	1	S	Ball Bearing
13	710-0451	1	/P	Carriage Bolt, 5/16-18 x .75
14	705-5226	1		Chute Reinforcement
15	684-0040C	1	S	26" Housing Ass'y (850W)
	684-0055B	1	S	30" Housing Ass'y (1150W)
16	712-3010	1	S	Hex Nut 5/16-18
17	712-0429	1	S	Lock Nut 5/16-18
18	736-0242	1	/P	Belleville Washer
19	736-0231	1	S	Flat Wshr, .344ID x 1.125 OD
20	737-3000	1	S	Grease Fitting, 3/16" Drive
21	731-1379C	1	S	Chute Adapter
22	712-0324	1	/P	Hex Lock Nut 1/4-20
23	736-0463	1	S	Flat Washer
24	784-0399	1	S	Bearing Housing w/Fitting
25	710-0703	1	/P	Carriage Screw 1/4-20 x .75
26	710-0604A	1	/P	Hex Screw 5/16-18
27	736-0169	1	S	Lock Washer 3/8
28	712-0798	1	/P	Hex Nut 3/8-16
29	741-0245	1	S	Hex Flange Bearing
30	784-5038B	1	S	Skid Shoe
31	736-0242	1	/P	Bell Washer
32	712-3010	1	S	Hex Nut 5/16-18
33	784-5579A	1	S	Shave Plate (850W)
	784-5575	1	S	Shave Plate (1150W)
34	710-0260	1	S	Carriage Bolt 5/16-18 x .62
35	684-0065	1	S	Impeller Assembly
36	715-0114	1	S	Pin
37	618-0415A	1	S	26" Gear Ass'y (850W)
	618-0417A	1	S	30" Gear Ass'y (1150W)
38	605-5192A	1	S	26" Spiral RH (850W)
	605-5248A	1	S	30" Spiral RH (1150W)
39	736-0188	1	/P	Flat Washer
40	741-0493A	1	/P	Flange Bushing
41	605-5193A	1	S	26" Spiral LH (850W)
	605-5249A	1	S	30" Spiral LH (1150W)
42	710-0890A	1	/P	Shear Bolt 5/16-18 x 1.5
	777D04520	1		Label: Handle Panel
	777D04524	1		Label: Side Housing White
	777D04537	1		Label: Engine 8 HP (850W)
	777D04539	1		Label: Engine 11HP (1150W)
	777D04528	1		Label: Top Housing (850W)
	777D04531	1		Label: Top Housing (1150W)

31AH5C3F190 Snow Boss SB-855W (2002)
Blower Housing

Ref #	Part Number	Qty	S/P/F	Description
	777I20822	1		Label: Handle Panel (L)
	777I20821	1		Label: Handle Panel (R)
	777S30514	1		Label: Housing Danger
	777S30511	1		Label: Chute Danger

31AH5C3F190 Snow Boss SB-855W (2002)
Frame Assembly



31AH5C3F190 Snow Boss SB-855W (2002)
Frame Assembly

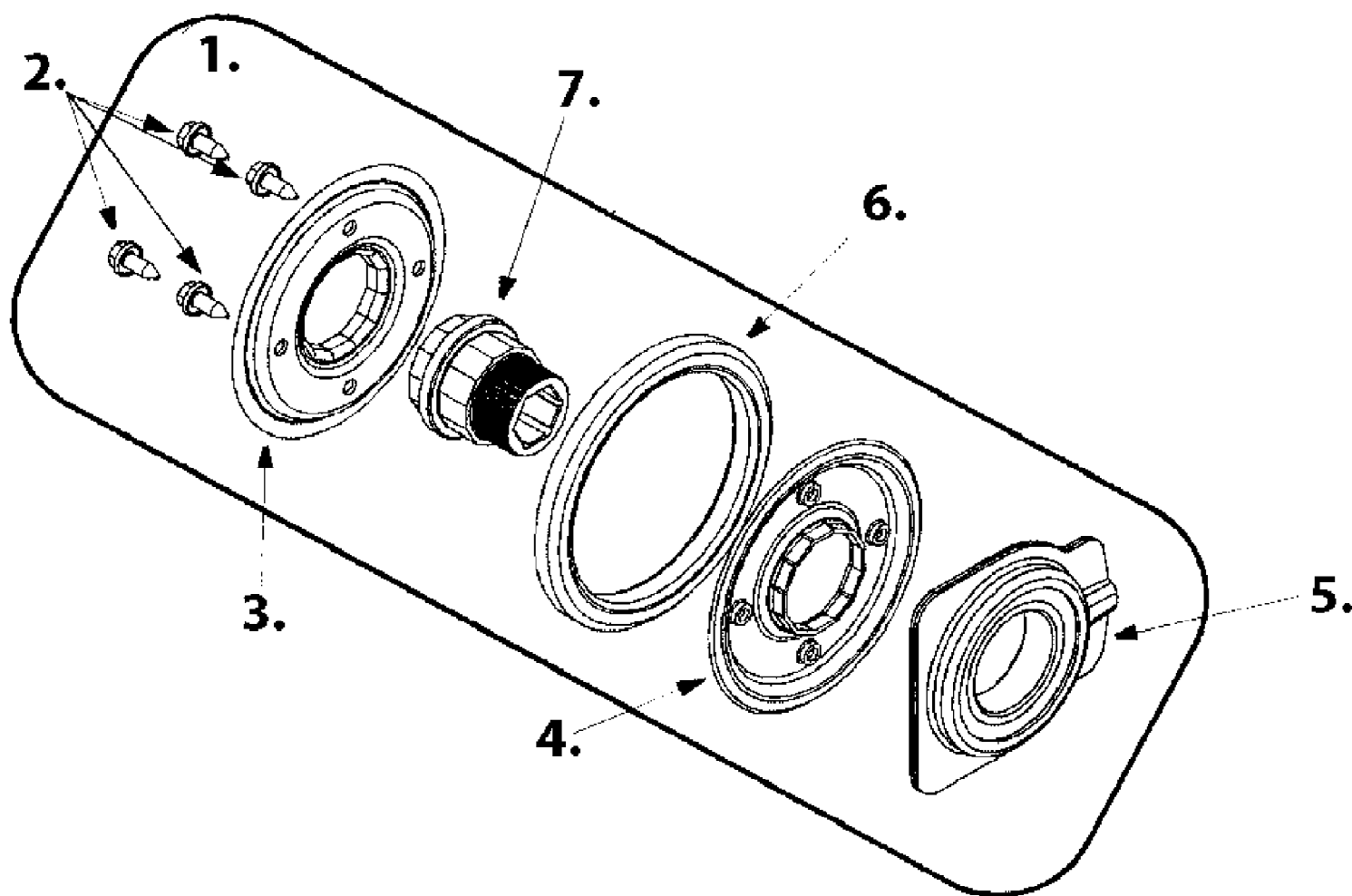
Page 7 of 15

Ref #	Part Number	Qty	S/P/F	Description
1	618-0043	1		Dogg Assembly: RH
2	618-0044	1		Dogg Assembly: LH
3	618-0575	1	/P	Shift Assembly: Steerable Drive
4	656-0012A	1	S	Friction Wheel Disc Assy.
5	684-0014B	1	S	Shift Rod Assembly
6	984-0042C	1	/P	Wheel Assembly, Friction See 'Friction Wheel Assembly' for breakdown
7	784-5731A	1	S	Transmission Frame Assembly
8	684-0131A	1	S	Support Bracket Assembly
9	710-0599	1	/P	Hex Washer Screw 1/4-20 x .5
10	710-0809	1		Hex Washer Screw 1/4-20 x 1
11	710-1652	1	/P	Hex Screw 1/4-20 x .625"
12	711-1267	1		Drive Shaft
13	711-1268	1		Actuator Shaft
14	711-1364	1		Pin
15	712-0711	1	/P	Jam Nut 3/8-24 Gr.8
16	712-3017	1	S	Hex Nut: 3/8-16
17	713-0233	1	/P	Chain
18	713-0374	1	/P	Chain
19	713-0413	1		Sprocket: 10T
20	713-0472	1		Sprocket
21	714-0104	1	S	Cotter Pin
22	736-0142	1	S	Flat Washer
23	714-0474	1	S	Cotter Pin
24	716-0102	1	S	Snap Ring
25	N/A	1		Adhesive: Loctite(R) Red 271, Purchase locally
26	732-0209	1	S	Extension Spring
27	732-0264	1	S	Extension Spring
28	736-0105	1	/P	Bell Washer
29	736-0160	1	S	Flat Washer
31	784-5740	1	S	Drive Cover LH
32	736-0351	1	S	Flat Washer
33	736-0626	1		Flat Washer
34	N/A	1		Lubricant Purchase locally
35	N/A	1		Grease
36	738-0924	1	S	Shoulder Screw
37	741-1111	1		Hex Flange Bearing
38	741-0598	1	S	Hex Flange Bearing
39	741-0600	1	S	Ball Bearing
40	741-0701	1		Flange Bushing
41	746-0897	1	S	Auger Clutch Cable
42	746-0898	1	S	Drive Clutch Cable
43	746-0956	1	S	Steering Cable
44	748-0190	1	/P	Spacer
45	750-1161A	1	/P	Axle Support Tube
46	750-1162	1		Spacer
47	756-0625	1		Roller Cable
48	784-5590	1		Shift Bracket
49	784-5687A	1	S	Auger Cable Guide Bracket
50	784-5689A	1	S	Front Support Guide Bracket
51	784-5730A	1	S	Drive Cover RH

31AH5C3F190 Snow Boss SB-855W (2002)
Frame Assembly

Page 8 of 15

Ref #	Part Number	Qty	S/P/F	Description
52	784-5732	1		Frame Cover
53	784-5733	1	S	Roller Bracket: Drive Cable
54	710-1233	1	/P	Oval C-Sunk Machine Screw
55	712-0127	1	/P	Weld Nut
56	725-0157	1	/P	Cable Tie
57	746-0950	1	S	Turn Trigger

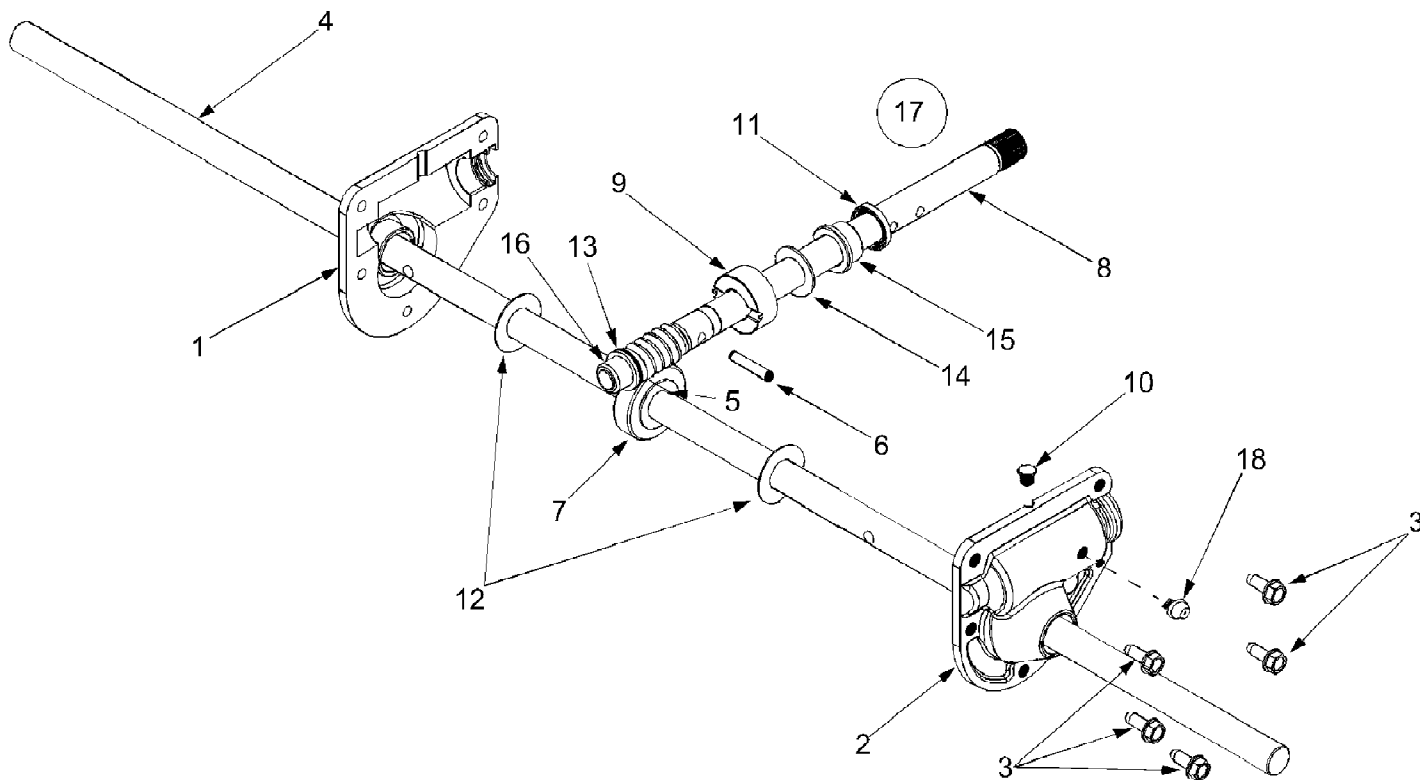


31AH5C3F190 Snow Boss SB-855W (2002)
Friction Wheel Assembly

Page 10 of 15

Ref #	Part Number	Qty	S/P/F	Description
1	984-0042C	1	/P	Friction Wheel Assembly
2	710-0896	1	/P	AB Screw 1/4-14 x.625
3	790-00011	1		Friction Plate
4	790-00010	1		Friction Plate
5	618-0063A	1		Friction Wheel Bearing
6	935-0243B	1	/P	Friction Wheel Rubber
7	N/A	1		Friction Wheel Hub Furnish 984-0042C

31AH5C3F190 Snow Boss SB-855W (2002)
Gear Assembly

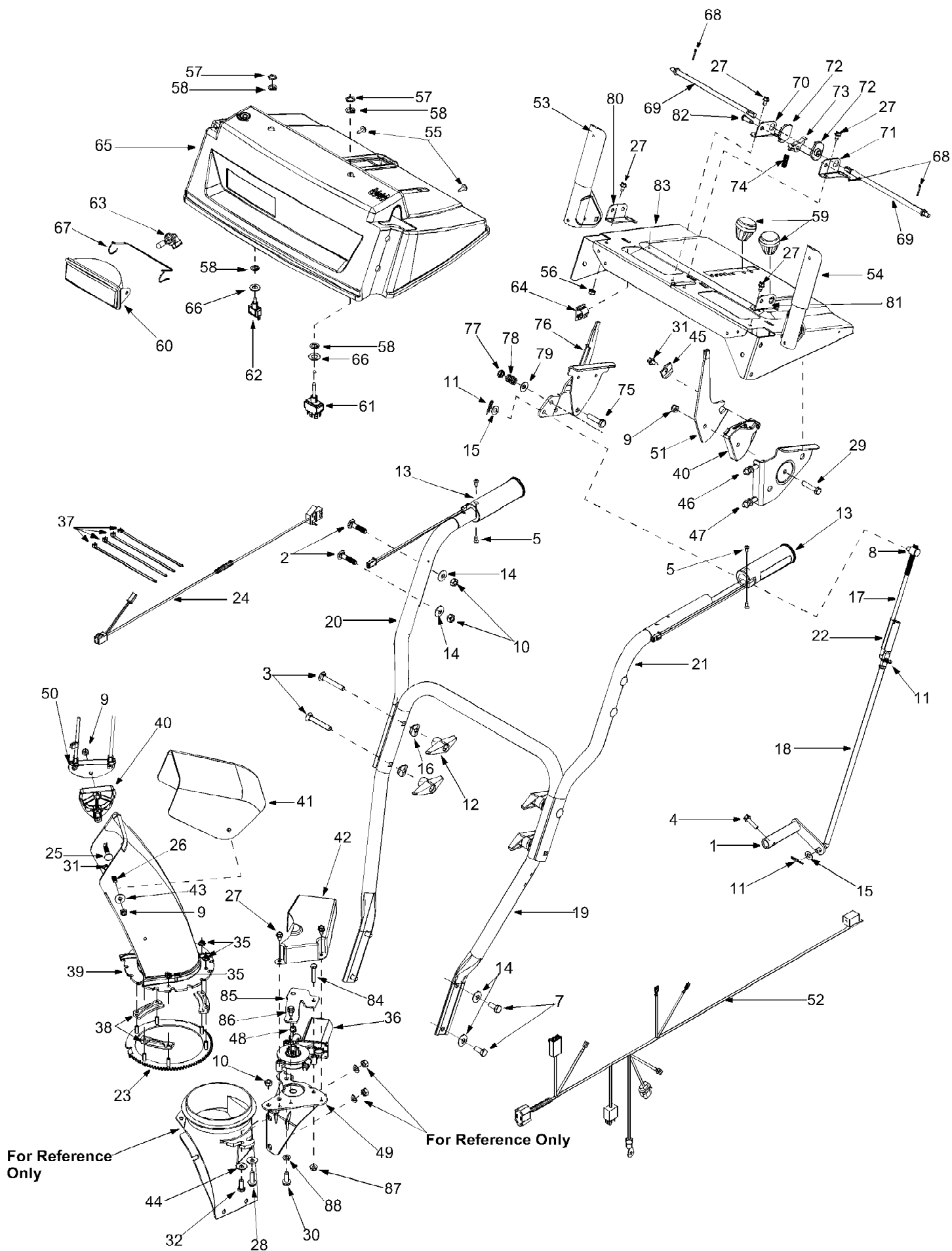


31AH5C3F190 Snow Boss SB-855W (2002)
Gear Assembly

Page 12 of 15

Ref #	Part Number	Qty	S/P/F	Description
1	618-0123	1	S	RH Housing (Incl. Ref. 17, 18)
2	618-0418	1	S	LH Housing w/Fitting (Incl. Ref. 17, 18)
3	710-0642	1	/P	Self Tapping Screw, 1/4-20 x .75
4	711-0909A	1	/P	Spiral Axle, 26" (850W)
	711-1024	1	S	Spiral Axle, 30" (1150W)
5	714-0161	1	S	Hi-Pro Key, 3/16 x 5/8
6	715-0143	1	S	Spring Spiral Pin, .25 x 1.25
7	717-0528	1	S	Worm Gear, 20-tooth
8	717-0526	1		Worm Shaft
9	718-0186	1		Thrust Collar
10	721-0325	1		Grease Plug
11	721-0327	1		Grease Seal
12	736-0351	1	S	Flat Washer, .76 x 1.5 x .030
13	736-0369	1	S	Flat Washer, .508 x 1.0 x .020
14	736-0445	1	S	Flat Washer, .76 x 1.5 x .060
15	741-0662	1		Flange Bearing, .75 x 1.0 x .59
16	741-0663	1		Flange Bearing, .503 ID x .75 OD
17	618-0415A	1	S	Gear Ass'y Complete, 26" (850W)
	618-0417A	1	S	Gear Ass'y Complete, 30" (1150W)
18	737-3000	1	S	Grease Fitting, 3/16" Drive

31AH5C3F190 Snow Boss SB-855W (2002)
General Assembly



31AH5C3F190 Snow Boss SB-855W (2002)
General Assembly

Page 14 of 15

Ref #	Part Number	Qty	S/P/F	Description
1	684-0008A	1	S	Shift Arm Assembly
2	710-0262	1	/P	Carriage Bolt 5/16-18 x 1.5"
3	710-0449	1	S	Carriage Bolt 5/16-18 x 2.25"
4	710-0788	1	/P	TT Screw 1/4-20 x 1"
5	710-0837	1		C-Sunk Screw #10-16x 0.625"
7	710-3008	1	/P	Hex Screw 5/16-18 x .75"
8	711-0677	1	S	Ferrule
9	712-0429	1	S	Hex Lock Nut 5/16-18
10	712-3010	1	S	Hex Nut 5/16-18
11	714-0104	1	S	Cotter Pin
12	720-0284	1	S	Handle Knob
13	725-1757	1		Heated Grip
14	736-0242	1	/P	Belleville Washer
15	736-0275	1	S	Flat Washer
16	736-0451	1	S	Saddle Washer
17	747-0620A	1	/P	Shift Rod: Upper
18	747-0621	1		Shift Rod: Lower
19	749-0951	1		Lower Handle
20	749-0952A	1	/P	Upper Handle: L Style RH
21	749-0953A	1	/P	Upper Handle: L Style LH
22	750-0963	1	S	Connector: Shift Rod
23	618-0419	1		Gear Assembly: Ring
24	629-0937	1		Electric Harness: Lower
25	710-0262	1	/P	Carriage Bolt: 5/16-18 x 1.5"
26	710-0451	1	/P	Carriage Bolt: 5.16-18 x .750"
27	710-0599	1	/P	TT Screw: 1/4-20 x 0.5"
28	710-0602	1	/P	TT Screw: 5/16-18 x 1"
29	710-0805	1	/P	Hex Screw: 5/16-18 x 1.5"
30	710-0650	1	/P	Hex Washer Screw 5/16-18 x .875
31	710-0896	1	/P	Hex Screw AB:1/4-14 x 0.625"
32	710-3008	1	/P	Hex Screw: 5/16-18 x .75"
35	712-3027	1	S	Hex Flange Lock Nut
36	724-0249B	1	S	Electric Motor: Chute Crank
37	725-0157	1	/P	Cable Tie
38	731-0851A	1	/P	Chute Flange Keeper
39	731-1300A	1	S	Lower Chute
40	731-1313C	1	/P	Cable Guide: Chute Tilt
41	731-1320	1	S	Upper Chute
42	731-2611	1		Motor Cover: Chute Rotation
43	736-0159	1	S	5/16 Washer
44	736-0242	1	/P	Belleville Washer
45	736-0506	1	S	Special Washer
46	746-0896	1	S	Control Cable
47		1		UNKNOWN
48	741-1140	1		Bushing
49	784-5745	1	S	Motor Bracket
50	784-5594	1		Cable Bracket
51	784-5604	1	S	Handle: Chute Tilt
52	629-0936A	1	/P	Harness Assembly: Upper
53	684-0036A	1	/P	Handle Assembly RH
54	684-0037B	1	/P	Handle Assembly LH
55	710-1003	1	/P	Special Hex Screw
56	712-0271	1	/P	TT Screw: 1/4-20

31AH5C3F190 Snow Boss SB-855W (2002)
General Assembly

Page 15 of 15

Ref #	Part Number	Qty	S/P/F	Description
57	712-0693	1	/P	Hex Nut
58	716-0398	1		Lock Ring: Toggle Switch
59	720-0232	1	S	Shift Knob
60	725-1672	1	S	Lamp Housing
61	725-1755	1	S	Toggle Switch: Double Throw
62	725-1756	1	S	Toggle Switch: Single Switch
63	725-1759	1	S	Halogen Lamp: 50W, 12V
64	726-0152	1		Mounting Clamp
65	731-2276	1		Handle Panel
66	736-0226	1	S	Flat Washer
67	747-1136	1	/P	Headlight Retainer
68	714-0507	1	S	Cotter Pin: 3/32 x .75
69	747-0877	1		Cam Rod
70	784-5680	1	S	RH Handle Support Bracket
71	784-5679	1	S	LH Handle Support Bracket
72	748-0362	1		Cam Handle Lock
73	748-0363	1	S	Handle Lock Pawl
74	732-0145	1	/P	Compression Spring: .36 x 1.0
75	710-0459A	1	/P	Hex Cap Screw: 3/8-24 x 1.5
76	784-5619A	1	S	Shift Handle
77	712-0116	1	S	Jam Nut, 3/8-24
78	732-0193	1	/P	Comp. Spring: .39 x .6 x .88
79	736-0105	1	/P	Bell Washer
80	784-5682	1	S	RH Handle Support Bracket
81	784-5681	1	/P	LH Handle Support Bracket
82	711-0653	1	/P	Clevis Pin
83	684-0102	1		Handle Panel
84	710-0606	1	/P	Hex Cap Screw 1/4-20 x 1.5
85	784-0411	1	S	Top Support Motor Bracket
86	710-1652	1	/P	Hex Washer Screw 1/4-20 1.5
87	712-3027	1	S	Hex Flange Nut 1/4-20
88	736-0119	1	S	Lock Washer 5/16